



Table Stand

• 12.1660 TS-FT

Sicherheitshinweise
Safety Instructions



Montage
Assembly Instructions

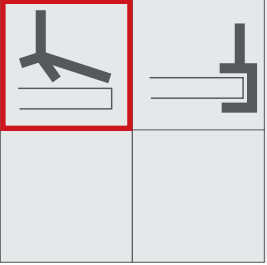


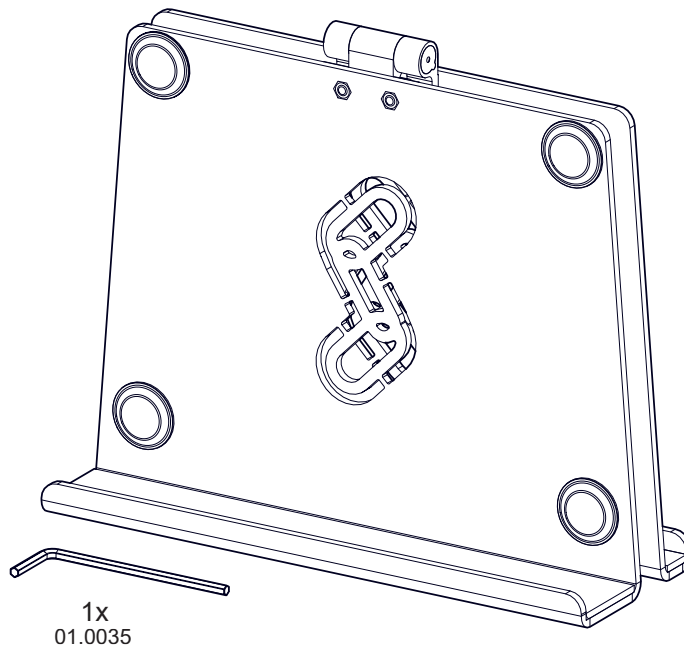
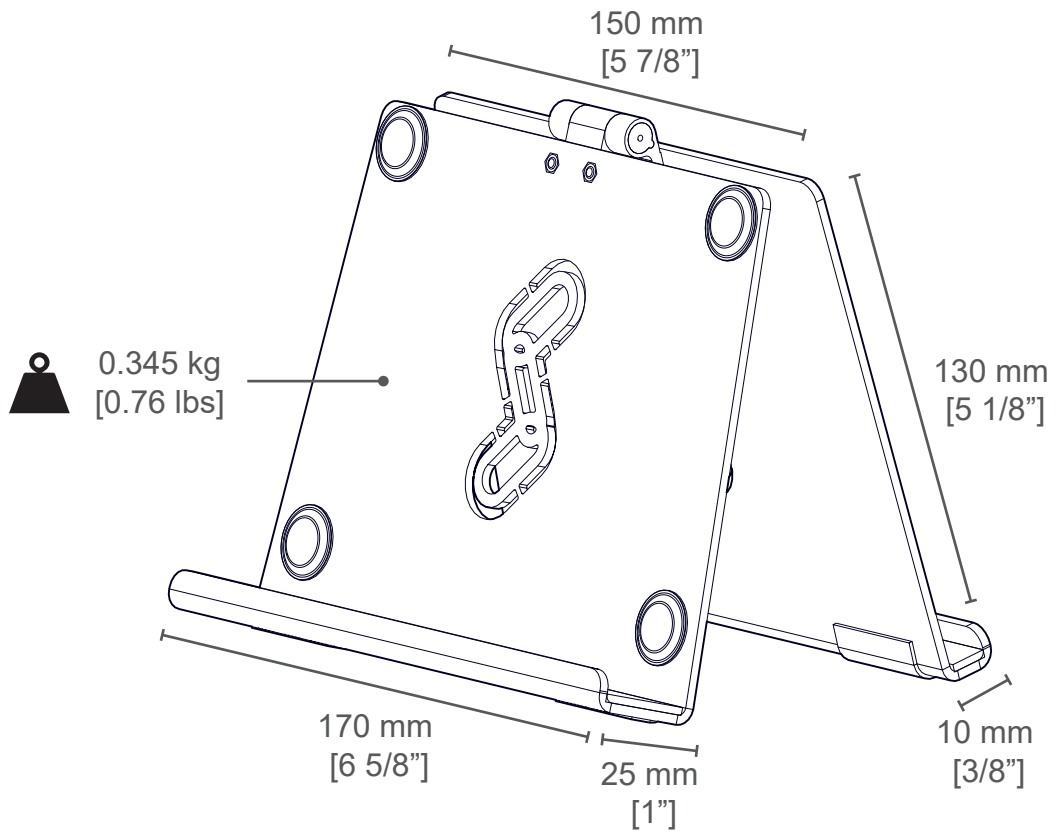
Handhabung
Handling



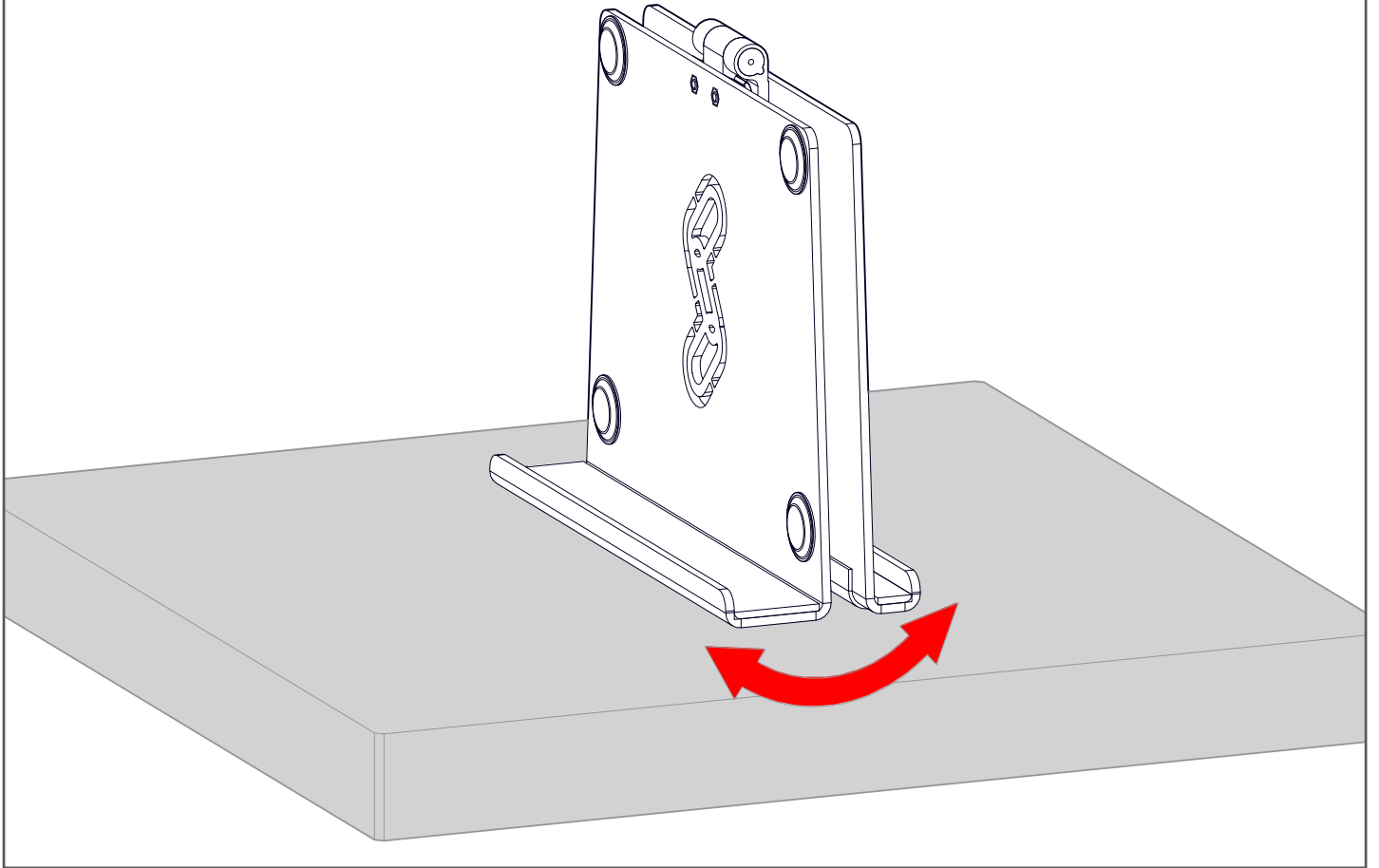
2021-03-15

00.5162~A

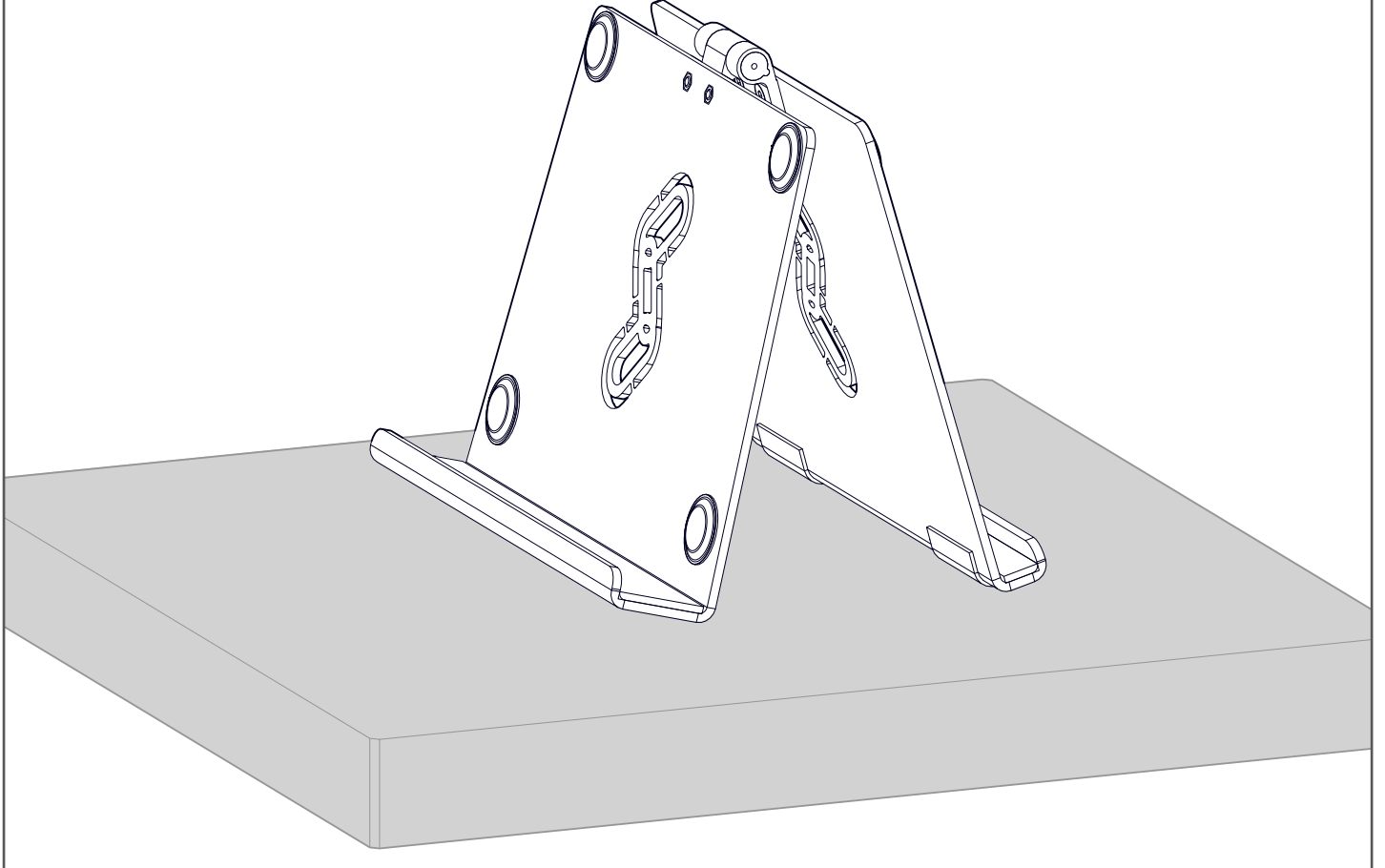




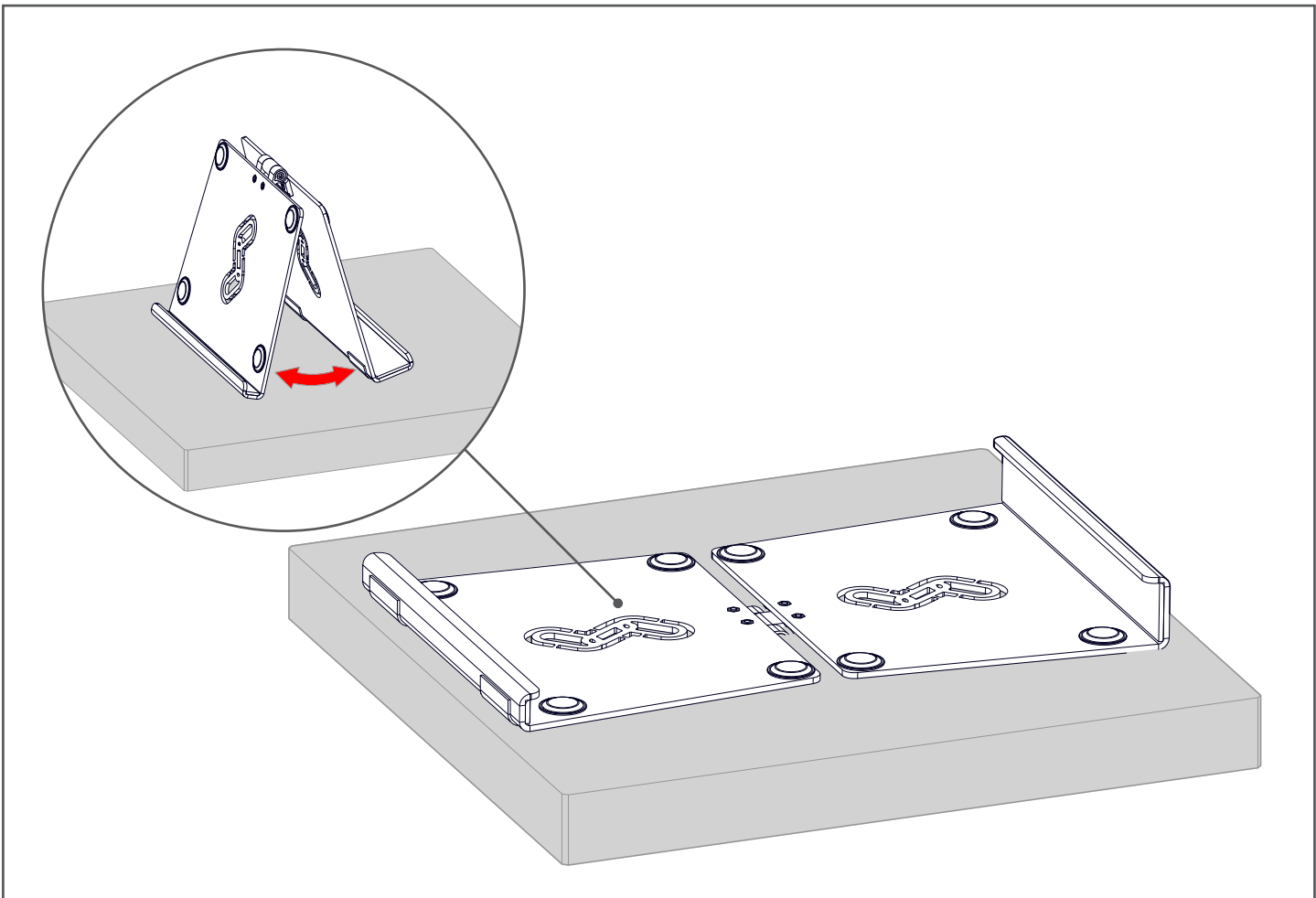
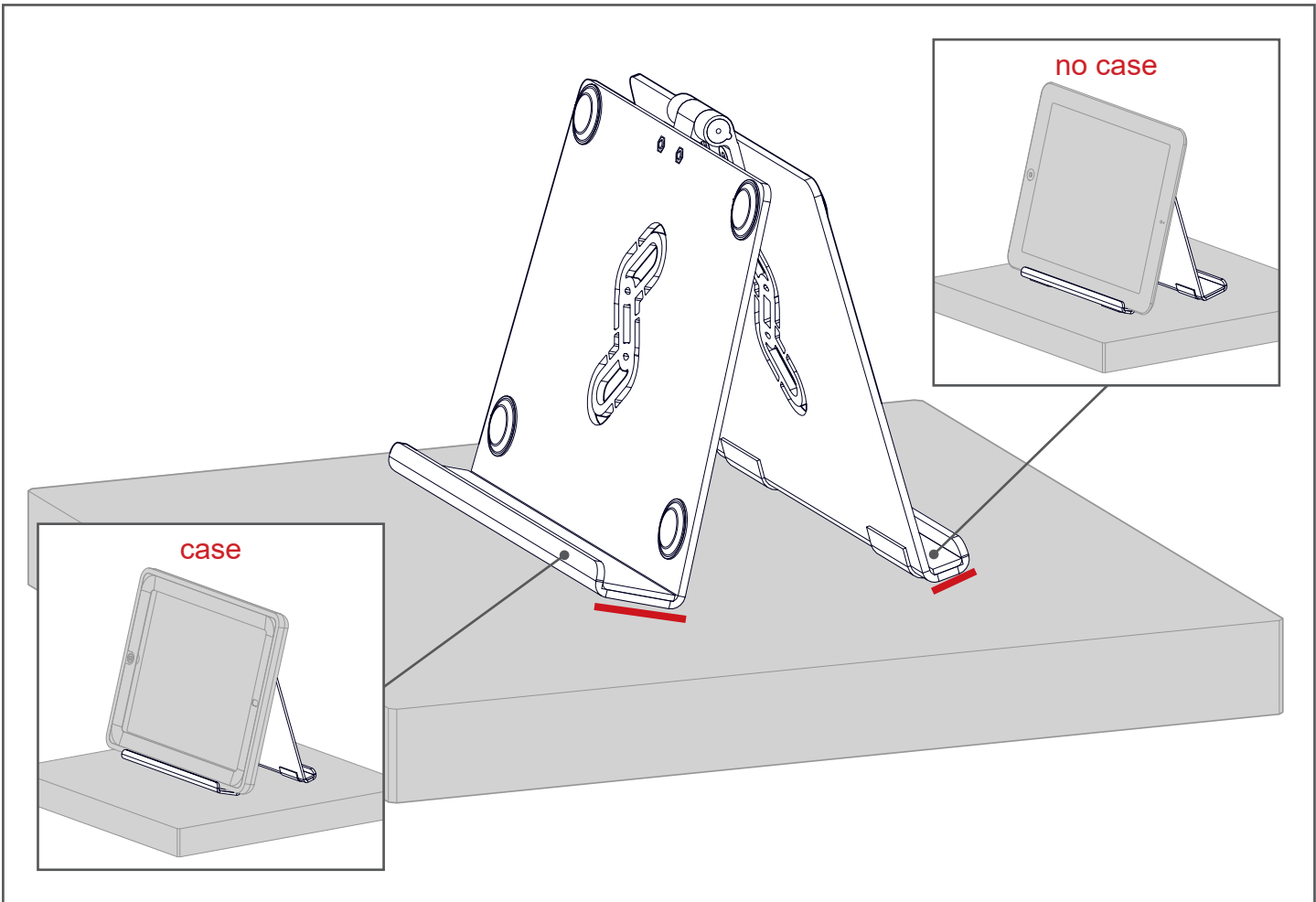
1

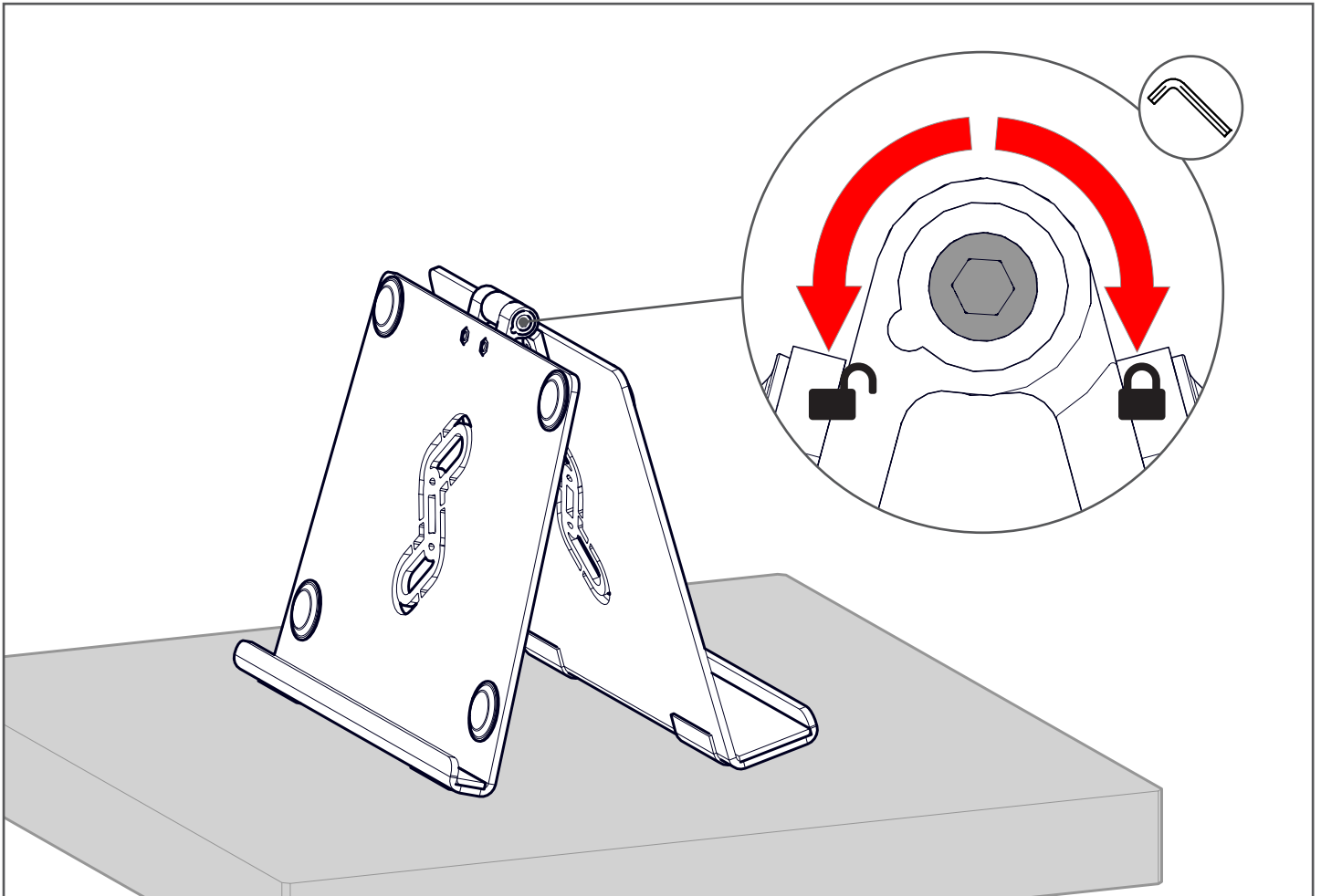
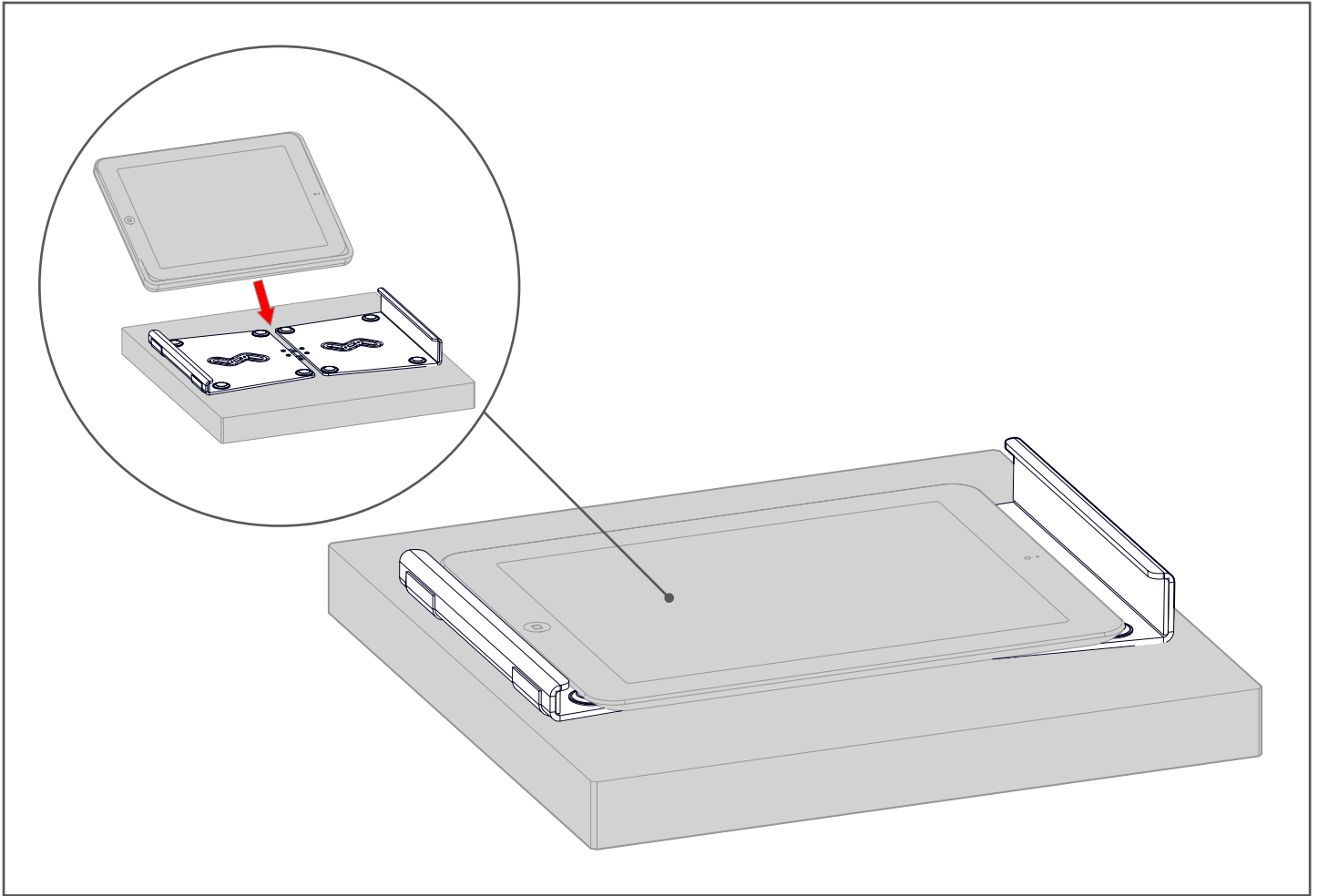


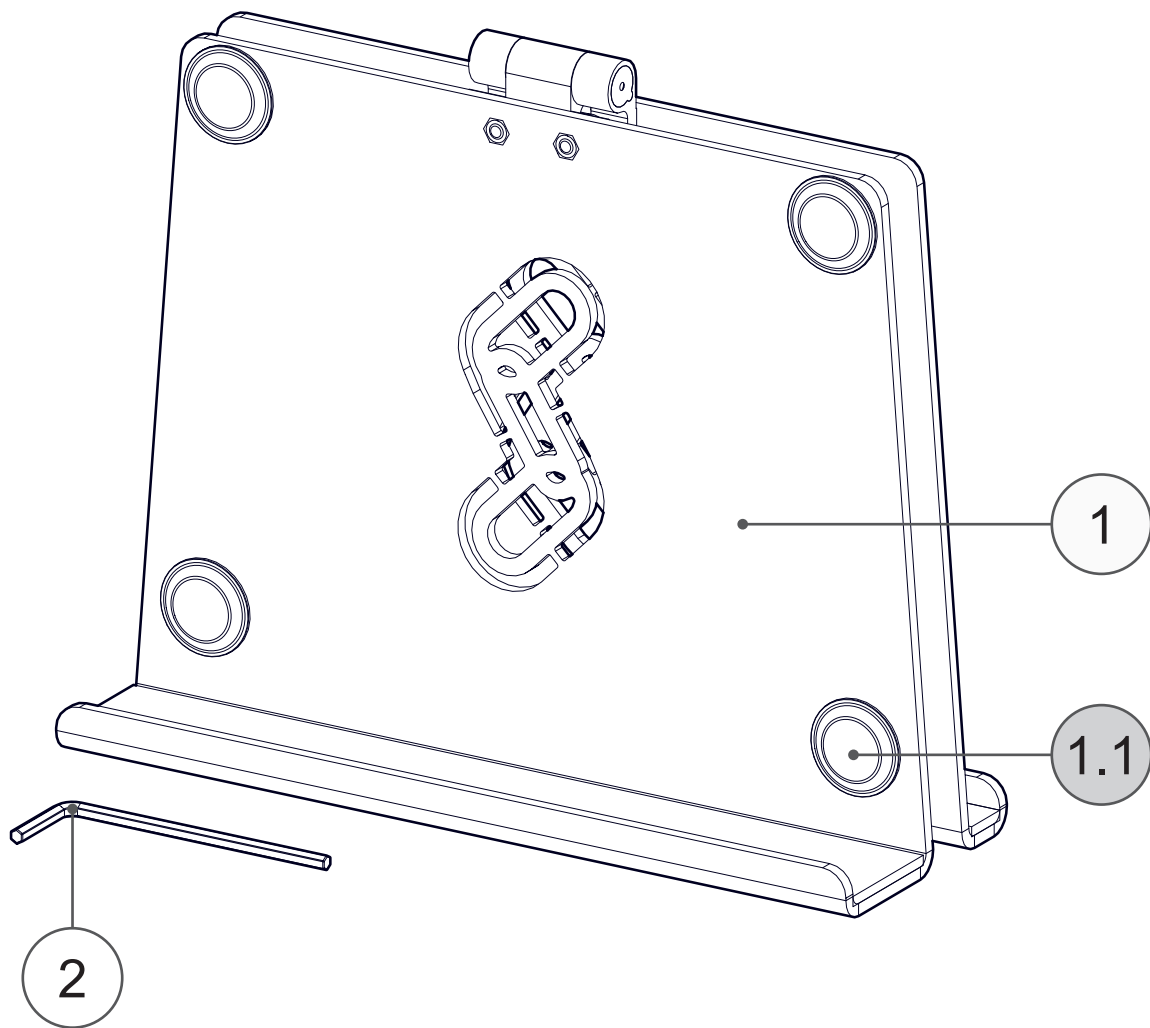
2



3

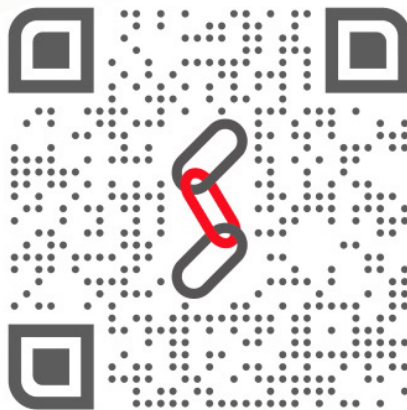






Pos.	No.	Bezeichnung	Description
1	12.1660	TS-FT	TS-FT
1.1	01.0285	Elastikpuffer Ø19x1,9mm	Rubber foot Ø19x1,9mm
2	01.0035	Innensechskantschlüssel 2,5mm	Allen wrench 2.5mm





Rehadapt Engineering
GmbH & Co. KG

📄 Heinrich-Hertz-Str. 104
34123 Kassel, Germany

☎ Tel.: +49 561 220 717 0
📠 Fax: +49 561 220 717 99

✉ officeteam@rehadapt.com
🌐 <https://rehadapt.com>



Rehadapt
North America

☎ Tel.: 1 (888) 635-6962
📠 Fax: 1 (888) 635-6962

✉ officeteam.na@rehadapt.com
🌐 <https://rehadapt.com>